

**Programmes After Market Services (P.A.M.S.)
Technical Documentation
NME-2A Series Transceivers**

Chapter 3

Transceiver Overview

CHAPTER 3 – TRANSCEIVER OVERVIEW

CONTENTS

| | Page No |
|------------------------------|----------------|
| Introduction | 3 – 3 |
| Functional Description | 3 – 3 |
| Block Diagram | 3 – 4 |
| Exploded View | 3 – 5 |
| Assembly Parts | 3 – 6 |

Introduction

This document contains the transceiver level description of the 6081 GSM Class 2 mobile phone. Detailed information can be obtained by referring to relevant module description.

The 6081 is a class 2 (8 watt) mobile transceiver designed to meet the car manufactures requirements for installation interface (VDA 25 pole Sub D connector). Data interface is accomplished by means of a 16 pole connector located in the front plate of the transceiver.

Functional Description

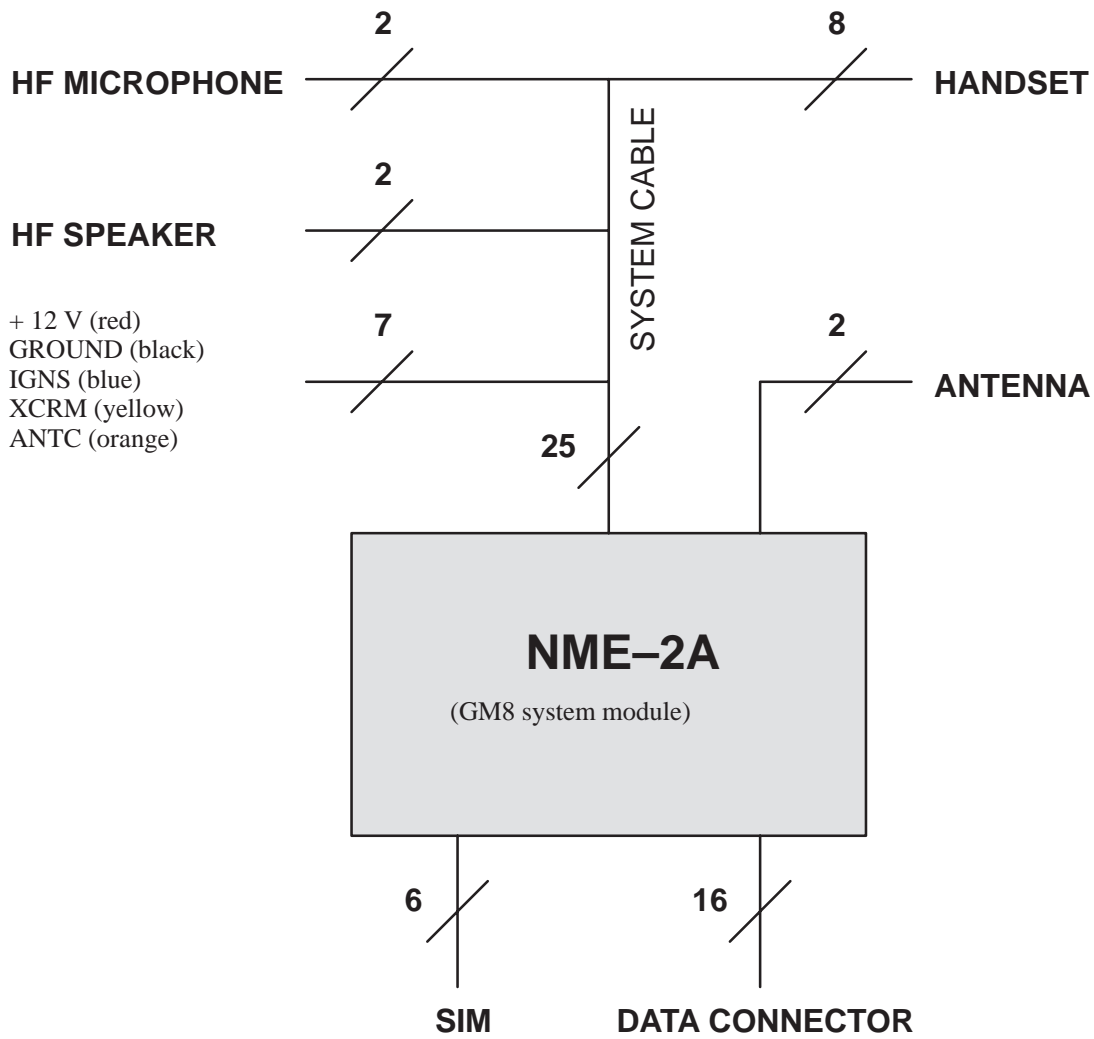
The phone electronics consist of system module (system + RF blocks). External handset is connected to system module with a system connector. System blocks and RF blocks are interconnected with PCB wirings. The transceiver can be connected to data accessories with a data connector and also an external sim card reader.

The system blocks provides MCU and DSP environments, logic control IC (EDSA), memories, audio processing and RF control hardware (RFI). On board power supply circuitry delivers operating voltage for both system and RF blocks.

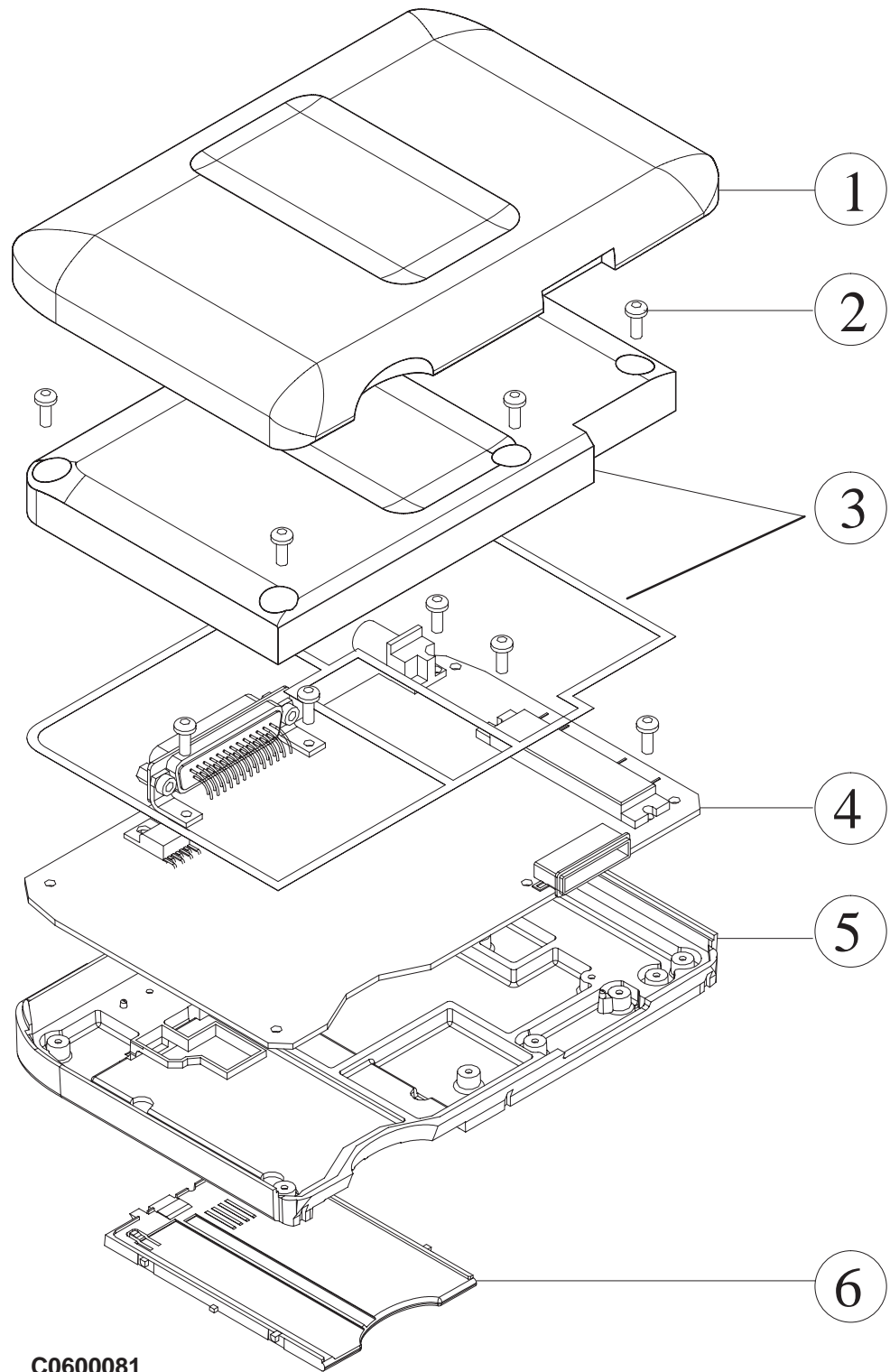
The general purpose microcontroller, Hitachi H8, communicates with DSP, memories and logic control IC (EDSA) with 8 bit data bus.

RF block is designed for a mobile phone; which operates in GSM system. Purpose of the RF block is to receive and demodulate radio frequency signal from the base station and to transmit a modulated RF signal to the base station.

Block Diagram



Exploded View



C0600081

Assembly Parts

| ITEM | Q'TY | CODE | DESCRIPTION | VALUE, TYPE |
|------|------|---------|---------------------|-------------|
| 1 | | 9450682 | Top enclosure | |
| 2 | 16 | 6290007 | Screw | |
| 3 | | 9537036 | Top shield Assembly | |
| 4 | | 0201102 | GM8 module | |
| 5 | | 9540015 | Bottom enclosure | |
| 6 | | 9450588 | SIM guidance | |